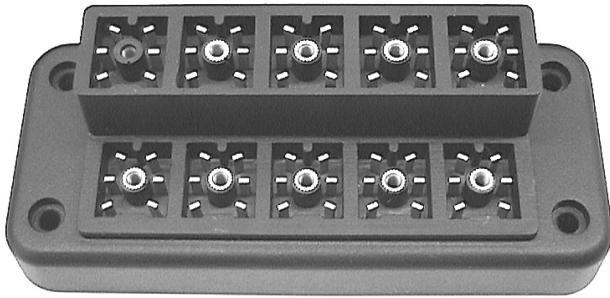
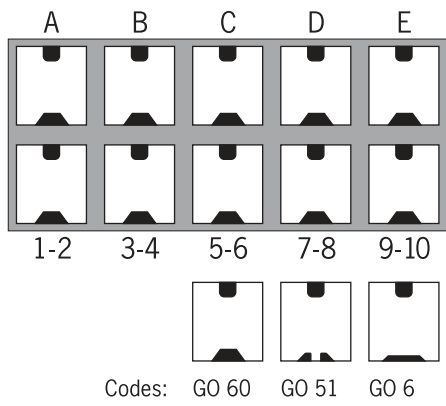
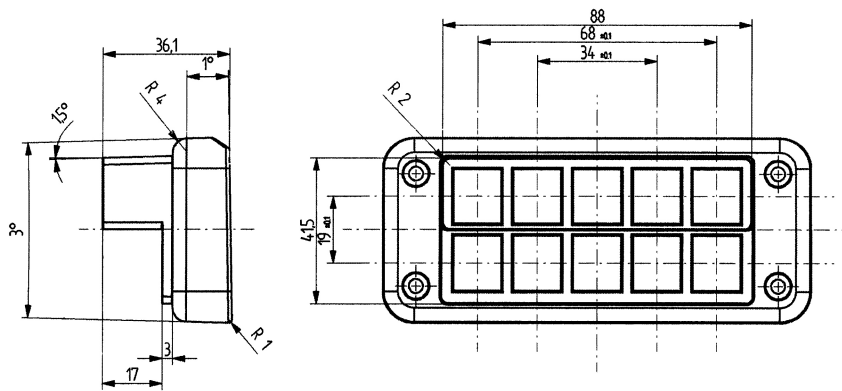


No.: 3.640.1027



- Robust and compact connector (IP65) for mobil hydraulic and any other industrial applications.
- Fitting to NBB PNN-housings or any control boxes.



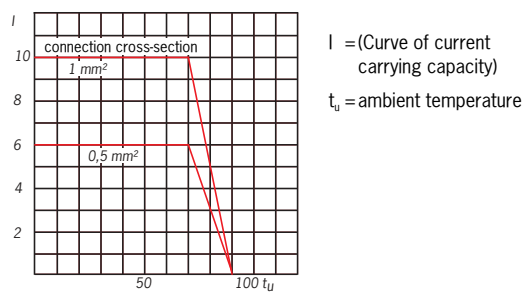
Standard Code

GO 60 further codes at demand

Technical data

Number of poles	6
Color of housing	black
Delivery specification	10 plugs on a plate + 1 seal not mounted
Operating voltage	AC 50V (-) DC 120V (+)
Reference voltage DIN VDE 0110	250V~/300V-
Insulation glass DIN VDE 0110	C
Operating current, perm.	10 A (1 mm ²)/6 A (0,5 mm ²)
Volume resistance	≤ 4 mΩ
Dimensions of pins	knife 2,8x0,8mm
Material of contacts/surface	CuZn tinned
Type of connection	solder
Material	PA 6.6
Type of protection	IP 65
Ambient temperature	-40°C to 90°C

Derating-Kurve (Curve of current carrying capacity)



Stand 08.15 - We reserve the right to alter specifications without notice.