

Joystick MS-A1 SMJ, 1-axis

(No.: 2.257.10XX)



- Small, handy, compact and robust
- Type of protection: IP65
- Ergonomic control knob – suitable for installation in restricted spaces
- Industrial joystick for machines, robots, orthopedic equipment,

Technische Daten

Electrical data

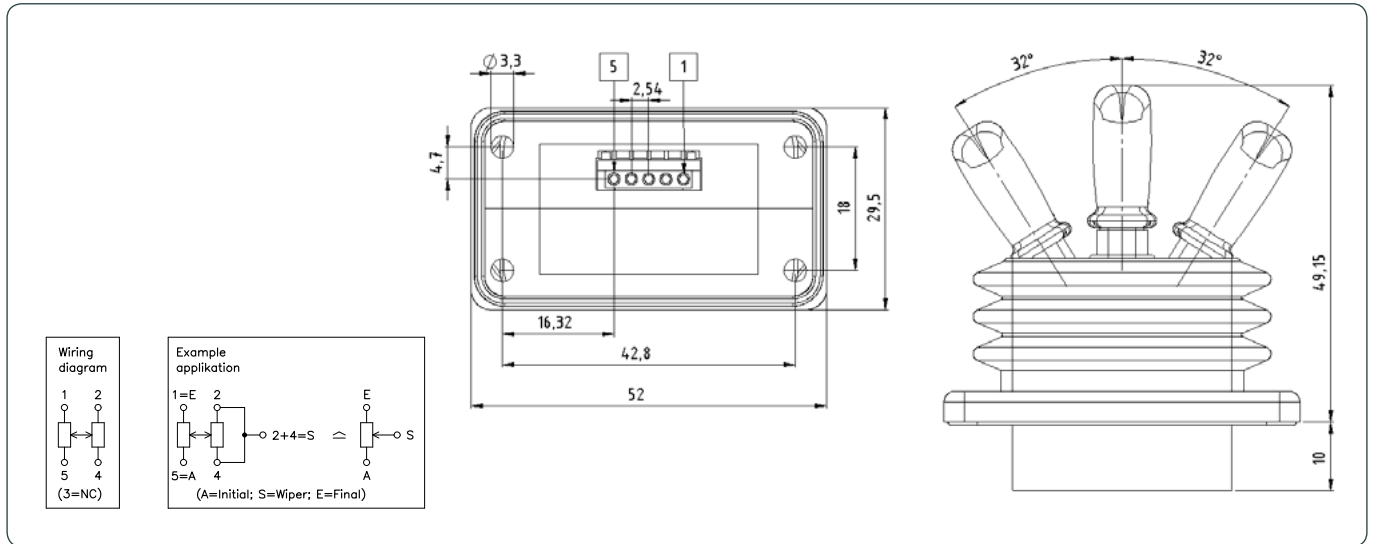
Total track resistance	5 k Ω (1 + 5/2 + 4)
Tolerance	30%
Max. power dissipation	0,15W @ 50 °C
Widerstandscharakteristik	Linear
Max. power supply	30VDC
Load resistance	> 100 k Ω

Mechanical data

Angle of movement	32° in all directions
Expected life (operations)	> 1 million
Operating force	15N max.
Stop resistance	200 N

Operating conditions

Type of protection	IP 65
Temperature range	–20 °C to +70 °C



Options

> Available mantissae (Grids)

- Proportional
- 2-0-2
- 3-0-3