

Joystick MS-A2 SMJ, 2-axis

(No.: 2.257.2XXX)



- Small, handy, compact and robust
- Type of protection: IP65
- Exact switching steps
- Mounted on elastomer joint – available with ball joint if required
- Double seal – continues to be waterproof and dust-tight even if boot is damaged (only elastomer joint)
- Ergonomic control knob – suitable for installation in restricted spaces
- Industrial joystick for machines, robots, orthopedic equipment, etc.

Technical data

Electrical data

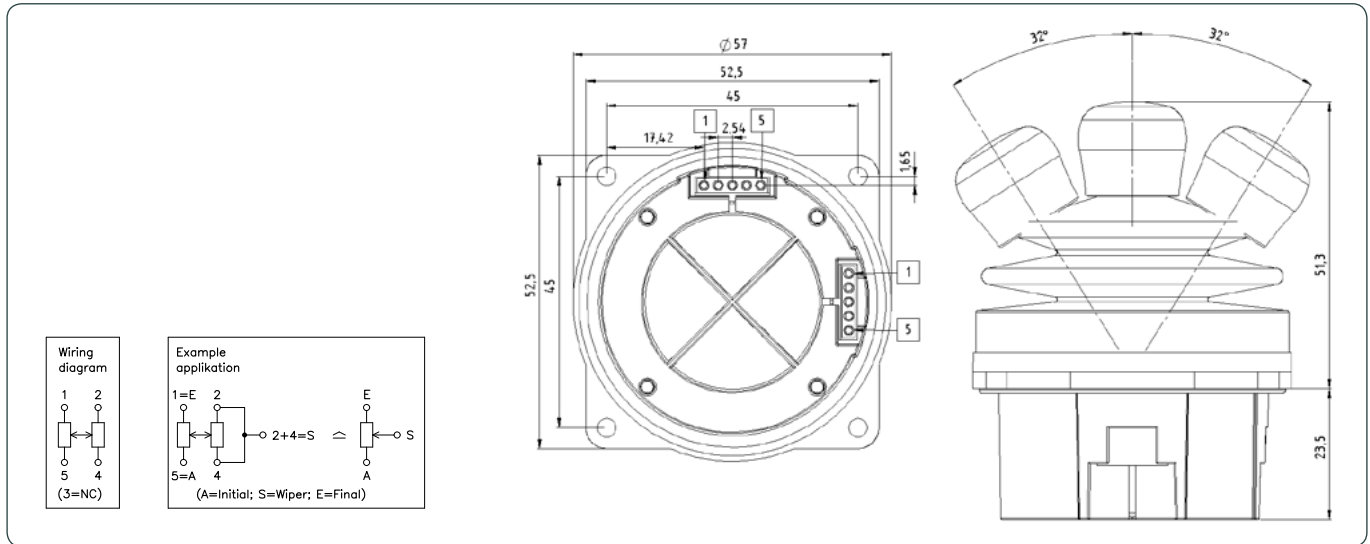
| | |
|---------------------------|----------------------------|
| Total track resistance | 5 k Ω (1 + 5/2 + 4) |
| Tolerance | 30% |
| Max. power dissipation | 0,15W @ 50 °C |
| Widerstandscharakteristik | Linear |
| Max. power supply | 30VDC |
| Load resistance | > 100 k Ω |

Mechanical data

| | |
|----------------------------|-----------------------|
| Angle of movement | 32° in all directions |
| Expected life (operations) | > 1 million |
| Operating force | 15N max. |
| Stop resistance | 200 N |

Operating conditions

| | |
|--------------------|------------------|
| Type of protection | IP 65 |
| Temperature range | –20 °C to +70 °C |



Options

- Ball joint (not double sealed)
- Control knob, ball

No. : 3.930.1006

> Available mantissae (Grids)

- Proportional
- 10/10
- 20/20
- 30/30, 30/40
- 40/40
- 60/60

> Available Gates (elastomer joint)

- Standard gate MSA2 **No. : 3.135.1025**
- Cross gate MSA2 **No. : 3.135.1027**
- Single gate MS **No. : 3.135.1026**
- Single gate MS **No. : 3.135.1026**
- Circular-gate Limit stop 25° **No. : 3.135.1024**

> Available Gates (ball joint)

- Standard gate MSA2 **No. : 3.135.1032**
- Cross gate MSA2 **No. : 3.135.1033**