

Data sheet Receiver Compact-M2

Compact-M2 Forestry

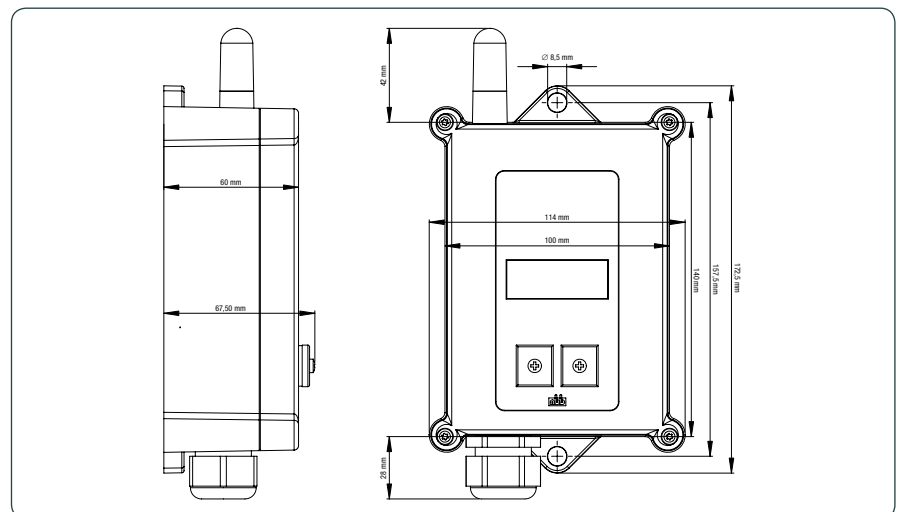


Optimized for forestry operation

- Voltage: 8–35 V/DC
- Small, compact and robust housing design
- Protection class IP 65
- CE
- Individually adapted solution according to specifications

Technical data

Power Supply	8–35 V/DC
Max. switching current	4 A
Outputs	Motor: Start/Stop Winch: pull/release Gas: digital or analog (0–5 V/DC) 3 reserve outputs, Emergency call system
Inputs	–
Emergency stop relay	optional
Antenna	integriert oder extern
Weight	800 g



Options

- Interface: RS232, 1 x CAN bus
- Emergency stop relay: forcibly actuated
- Adjustable emergency call initiation time (passive emergency call)
- Gas: 0/1, infinitely variable (servomotor can be connected directly)
- Infinitely variable e-gas
- Proportional gas setting
- Configuration of some functions with DIP switch