

Data sheet Receiver Compact-M2

Compact-M2 R13

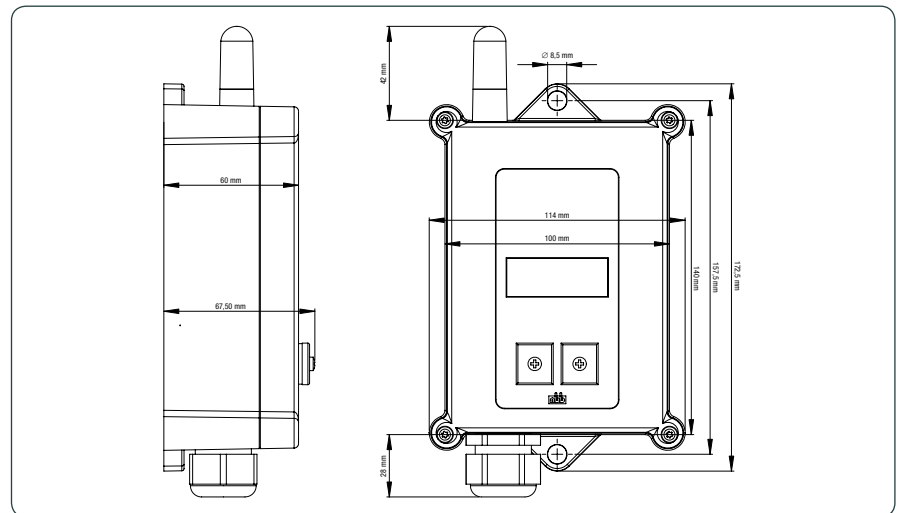


Compact receiver for small applications

- Voltage: in the AC and DC range according to customer requirement
- Small, compact and robust housing design
- Protection class IP 65
- CE
- Individually adapted solution according to specifications

Technical data

Power Supply	12 V/DC or 24 V/DC, 48 V/AC or 110 V/AC or 230 V/AC
Max. switching current	4A
Outputs	13 relays
Inputs	-
Emergency stop relay	forcibly actuated
Antenna	integrated or external
Weight	800 g



Options

- Interface: RS232