

Data sheet Receiver Compact-M2

Compact-M2 R20

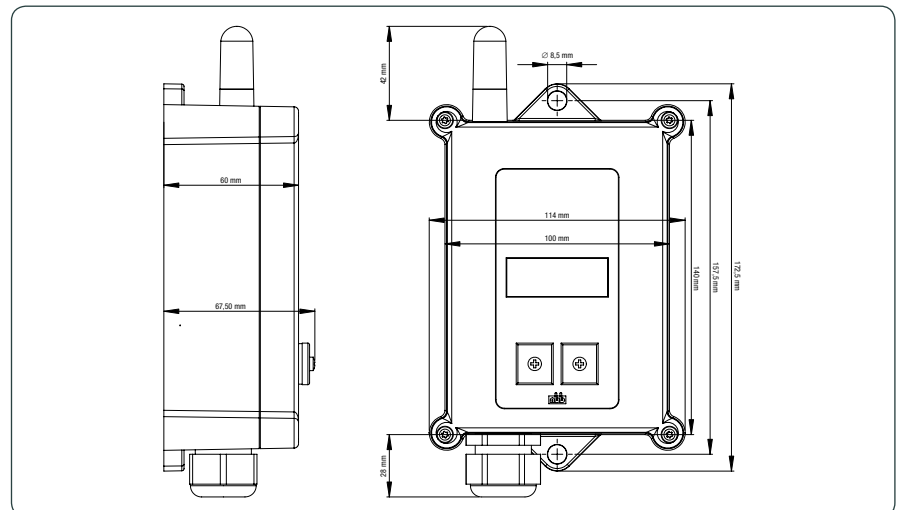


Compact receiver can be used in all DC ranges

- Voltage: 8–35 V/DC
- Small, compact and robust housing design
- Protection class IP 65
- CE
- Individually adapted solution according to specifications

Technical data

| | |
|-------------------------------|---|
| Power Supply | 8–35 V/DC |
| Max. switching current | 4 A |
| Outputs | up to 12 PWM outputs + 8 x digital + up to 8 Danfoss outputs (see options) |
| Inputs | 2 x digital |
| Emergency stop relay | forcibly actuated |
| Antenna | integrated or external |
| Weight | 800 g |



Options

- Interface: RS232, 2x CAN bus
- Outputs: 4–20 mA
- Instead of Danfoss outputs:
 - A: 0–10 VD/C
 - B: 0–5 VD/C
 - C: 0,5–2,5–4,5 VD/C
 - D: –10–0–+10 VD/C