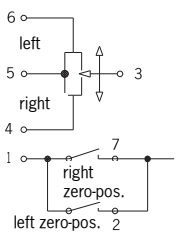


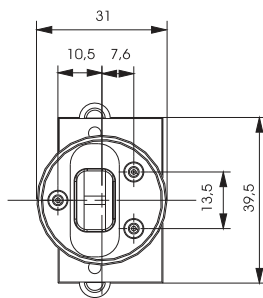
No.: 1.004.9100
with elastomer joint



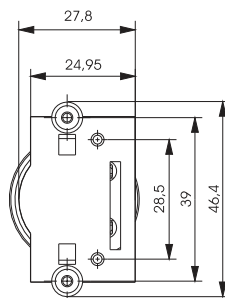
- Small, handy, compact and robust
- Type of protection: IP65
- Mounted on elastomer joint
- Double seal – continues to be waterproof and dust-tight even if boot is damaged
- Safety assured with separate directional switches in each direction
- Standard potentiometer control – electrical step control available on request
- Ergonomic control knob – suitable for installation in restricted spaces
- Industrial joystick for machines, robots, orthopedic equipment, etc.



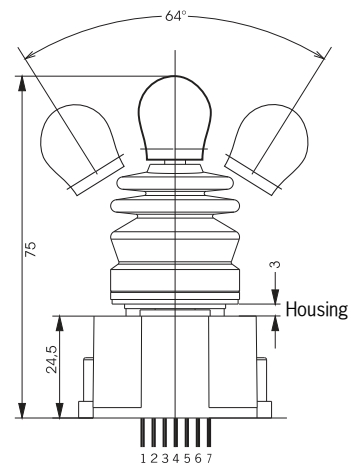
Wiring diagram



View from above



View from below

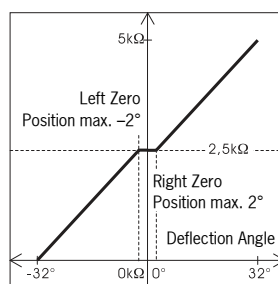


Available mantissae (Grids):

- Proportional
- 2 - 0 - 2
- 3 - 0 - 3
- 4 - 0 - 4 / at demand
- 5 - 0 - 5
- 6 - 0 - 6 / at demand

Available Gates

Standard gate MS-A1



Master switch graph

Control knob, ball:
3.930.1006



Technical data

Electrical data

Total track resistance	5 kΩ
Tolerance	10 %
Centre tap angle	± 2°
Midpoint tap	standard
Max. power dissipation	5 mW
Max. admissible current drain/grinder	0,1 mA

Mechanical data

Angle of movement	32° in all directions
Expected life (operations)	> 1 million
Operating force	15 N max.
Stop resistance	200 N
Weight	100 g

Directional switch

Contact resistance	< 2 kΩ
Max. power dissipation	5 mW
Please use pull up or pull down resistors (10 – 22 kΩ) for termination	

Operating conditions

Type of protection	IP 65
Temperature range	-20°C to +70°C